

# Avista

## LED Light Engine



### Features

As LEDs change and improve, so does Avista with a second generation of LEDs, optics, and drivers. The Avista is designed to integrate into almost any post top luminaire as a powerful, energy efficient, and long lasting LED system. Avista provides various options for intensity, distribution and color to make the transition seamless and fit the application perfectly.

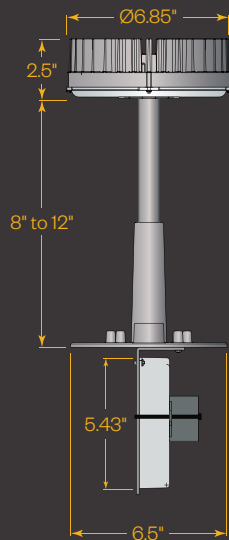


### Product Overview

Wattage:	up to 68W
Lumen Output:	up to 7,500 lm
Color Temp:	2,700K / 3,000K / 4,000K
Diameter:	Ø6.85 inches

PROJECT:

TYPE:



### Application:

LED Light engine for use in post top mount area and pedestrian environments. Designed for new fixtures or existing as a retrofit.

### Installation:

Height adjustable light engine can be field set for optimal performance. LED retrofit kit mounts to many existing luminaires.

### Electrical:

- Automatic AC incoming voltage sensing (120-277v)
- Over voltage and short circuit protection
- 10kv surge protector

### Construction:

- Anodized Aluminum Heat Sink
- Fully sealed LED optical chamber
- Acrylic Lens

### Distribution:

- SY - Symmetric
- AS - Asymmetric
- SO - Street Optic (Type 3)

### CCT:

2,700K / 3,000K / 4,000K

### LED Board Drive Current:

500ma, 700ma, 1200ma

### L70:

50,000+

### Efficacy:

Up to 126 lumens/ watt



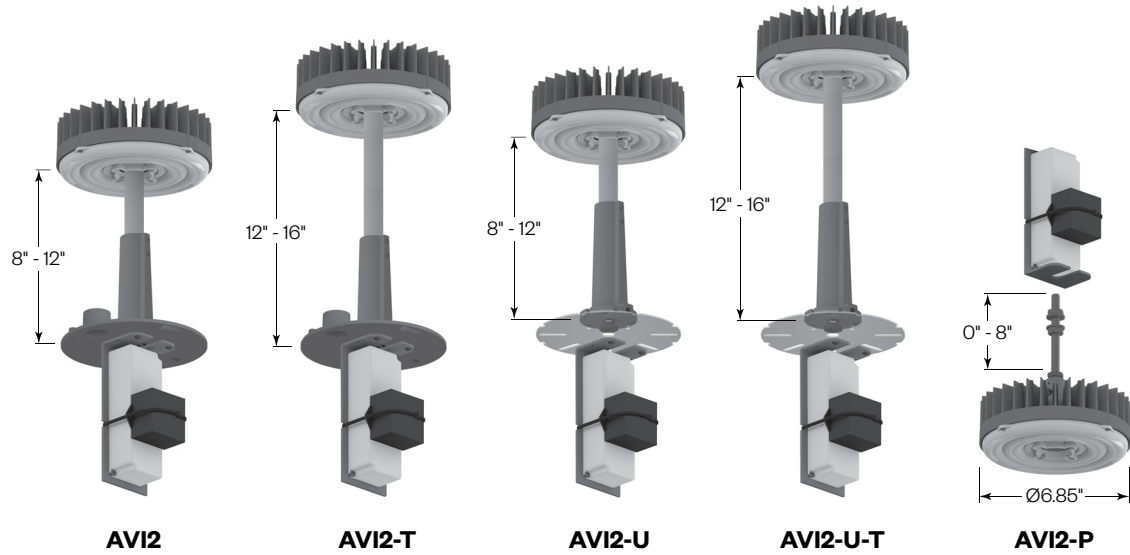
5 year limited warranty  
AMERLUX LED



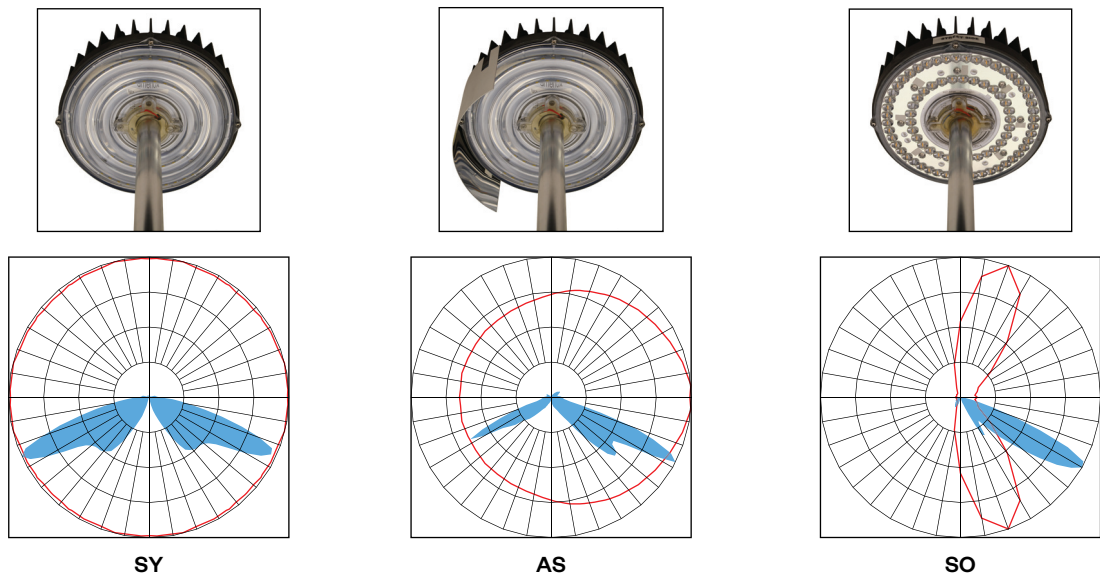
**PROJECT:**

**TYPE:**

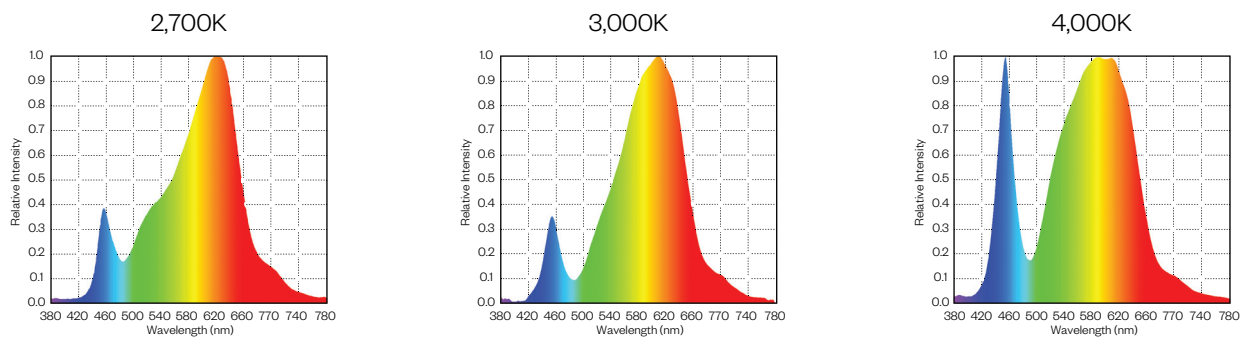
**Standard Models**



**Light Distribution Types**



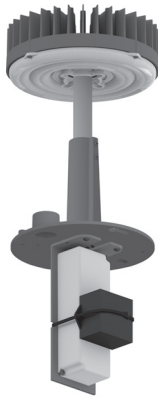
**Spectral Power Distribution**



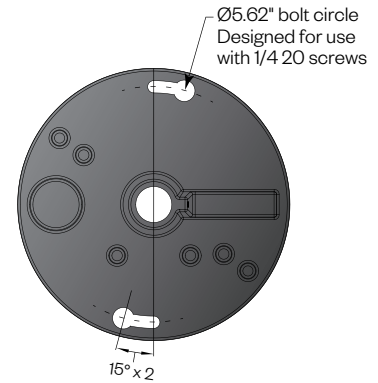
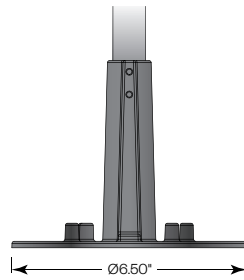
**PROJECT:**

**TYPE:**

## AVI2 and AVI2-T Standard Mounting Plate

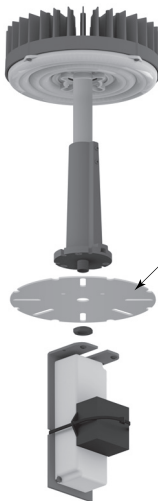


Includes one piece cast aluminum mounting plate with a height adjustable stem.



## AVI2-U and AVI2-U-T Mounting Options

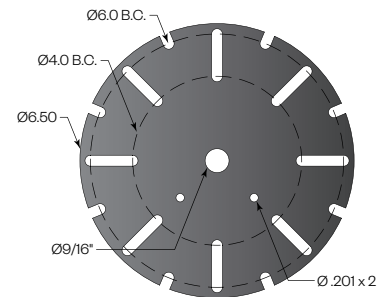
Mounting plate is not provided unless specified.



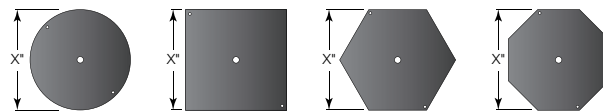
Optional Mounting Plate

**MFP (Optional plate)**

Allows for various screw patterns and configurations.

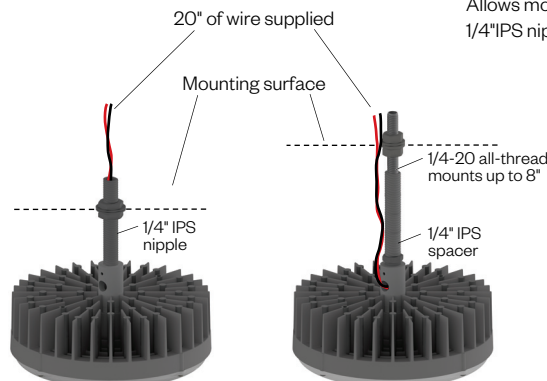
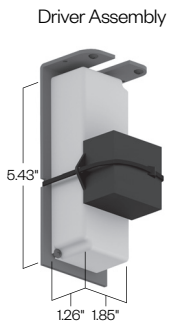


**Custom Mounting Plates (consult factory)**



## AVI2-P Assembly

Designed for pendant application.



Allows mounting with 1/4\"/>

**Hardware Contents:**

- (4) 1/4\"/>
- (2) 1/4\"/>
- (2) 1/4\"/>
- (1) 1/4-20x8 all-thread
- (2) 1/4-20 nuts
- (1) 1/4-20 washer
- (1) 1/4\"/>

**PROJECT:**

**TYPE:**

**Lumen Information**

Driver Output	System Watts	Light Distribution	CCT	Engine Only Lumens	Engine Only LPW	DLC Globe Lumens	DLC Globes LPW
500mA	27W	Symmetric	2,700K	3,030 lm	112		
			3,000K	3,120 lm	116	2,880lm	107
			4,000K	3,420 lm	126	3,150 lm	117
		Asymmetric	2,700K	2,910 lm	108		
			3,000K	3,000 lm	111	2,770 lm	103
			4,000K	3,140 lm	116	2,900 lm	107
		Street Optic	2,700K	2,980 lm	110		
			3,000K	3,060 lm	113	2,830 lm	105
			4,000K	3,220 lm	119	2,980 lm	110
700mA	38W	Symmetric	2,700K	4,120 lm	109		
			3,000K	4,240 lm	112	3,870 lm	103
			4,000K	4,640 lm	123	4,240 lm	112
		Asymmetric	2,700K	3,790 lm	100		
			3,000K	3,900 lm	103	3,610 lm	96
			4,000K	4,090 lm	108	3,780 lm	100
		Street Optic	2,700K	4,010 lm	106		
			3,000K	4,130 lm	109	3,820 lm	101
			4,000K	4,330 lm	115	4,010 lm	106
1200mA	67W	Symmetric	2,700K	6,110 lm	90		
			3,000K	7,260 lm	107	6,720 lm	99
			4,000K	7,530 lm	111	6,970 lm	103
		Asymmetric	2,700K	5,690 lm	84		
			3,000K	6,990 lm	103	6,470 lm	96
			4,000K	7,320 lm	108	6,770 lm	100
		Street Optic	2,700K	5,820 lm	86		
			3,000K	7,140 lm	106	6,610 lm	98
			4,000K	7,500 lm	111	6,940 lm	103

\*Approximate lumens delivered from raw light engine.

**Ordering Information**

Model	Light Distribution	CCT	Power	Accessory
<b>AVI2</b> (Standard model)	<b>SY</b> (Symmetric) <b>AS</b> (Asymmetric) <b>SO</b> (Street Optic)	<b>27</b> (2,700K) <b>30</b> (3,000K) <b>40</b> (4,000K)	<b>350M</b> (350ma) <b>500M</b> (500ma) <b>700M</b> (700ma) <b>1200M</b> (1200ma)	<b>MFP</b> (Multi-fit plate) <b>CSTM</b> (Custom plate)
<b>AVI2-T</b> (Tall model)				
<b>AVI2-U</b> (Multi-fit model)				
<b>AVI2-U-T</b> (Multi-fit Tall model)				
<b>AVI2-P</b> (Pendant model)				

Ordering options in BOLD (Example: **AVI2-SY-27-350M**)